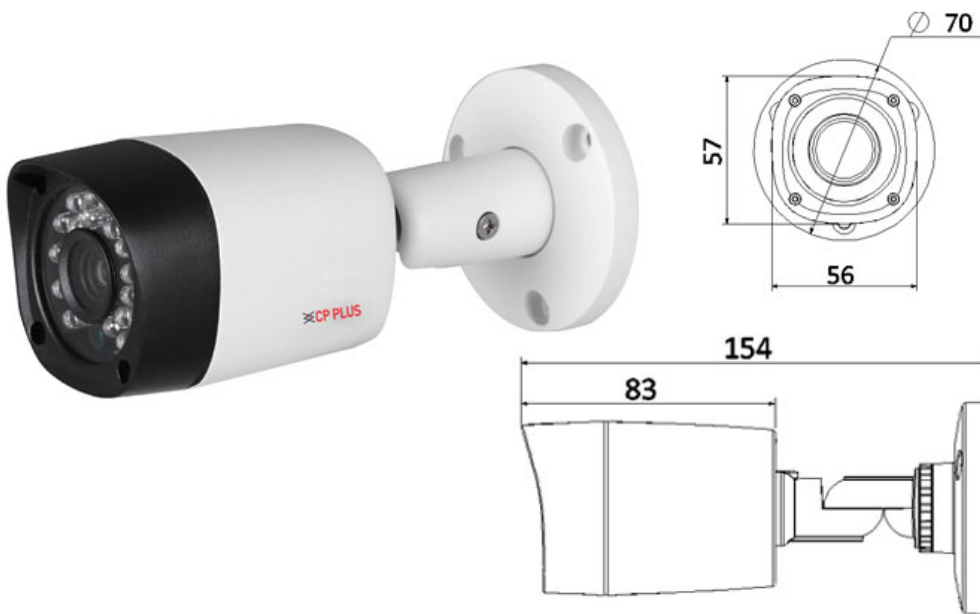


CP-USC-TA10L2**1 MP IR Cosmic Bullet Camera - 20Mtr.****COSMIC**
HD CAMERA**Main Features**

- 1 MP HQIS Pro Image Sensor
- Max 25/30fps@720P
- DWDR, Day/Night(ICR), AWB, AGC, BLC
- 3.6mm fixed lens (2.8mm optional)
- IR Range of 20 Mtrs., IP67
- OSD Menu, control over coaxial cable, 2D-DNR
- HD and SD switchable



CP- USC-TA10L2

1 MP IR Cosmic Bullet Camera - 20Mtr.

COSMIC
HD CAMERA

Feature

Image Sensor
Minimum Illumination
Shutter Speed
Lens
Back Light Compensation
Video Streaming
Video Output
ICR
OSD
IR
Transmission Distance
Operating Temperature
Power Source
Power Consumption
Weatherproof Standard
Dimension
Weight

Specification

1 Megapixel HQIS Pro
0.05Lux/F2.0, 0Lux IR on
1/50s~1/100,000s
3.6mm (2.8mm optional)
DWDR
720P@25 fps
1-channel BNC high definition video output/ CVBS standard definition video output (Can
Auto(ICR)/Color/B/W
Support
IR Range of 20 Mtr.
Over 800m via 75-3 coaxial cable
-40°C~+60°C / Less than 95%RH (no condensation)
DC12V±25%
Max 2.8W
IP67
Φ70mm × 154mm
0.2 Kg.